



PL 1401-R01 e

Section	1401
Effective	September 2011
Replaces	August 2008

## **SPARE PARTS**

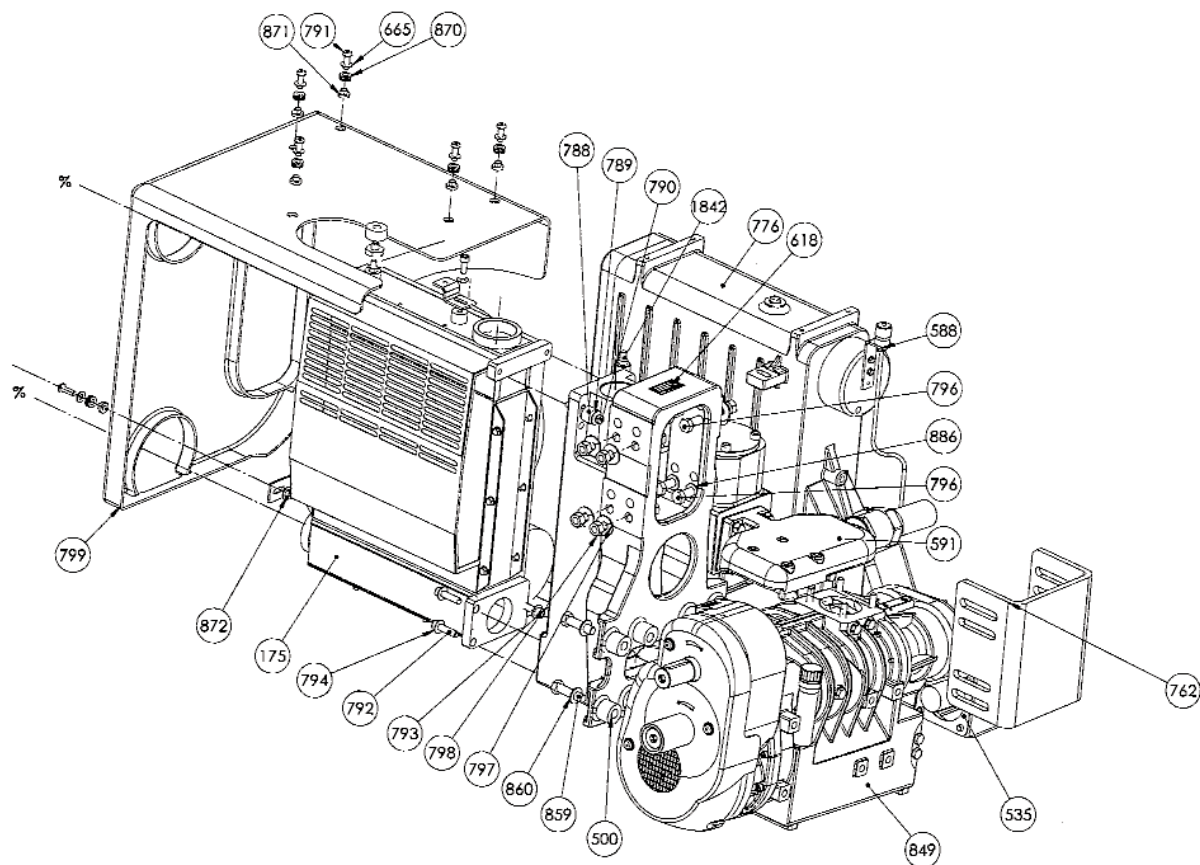
### ***DDIC DDNC compressor assemblies***



Z.I. La Plaine des Isles - F 89000 AUXERRE - FRANCE  
Tel. : +33 (0)3.86.49.86.30 - Fax : +33 (0)3.86.49.87.17  
contact@mouvex.com - www.mouvex.com

Your distributor :

## LIST OF SPARE PARTS

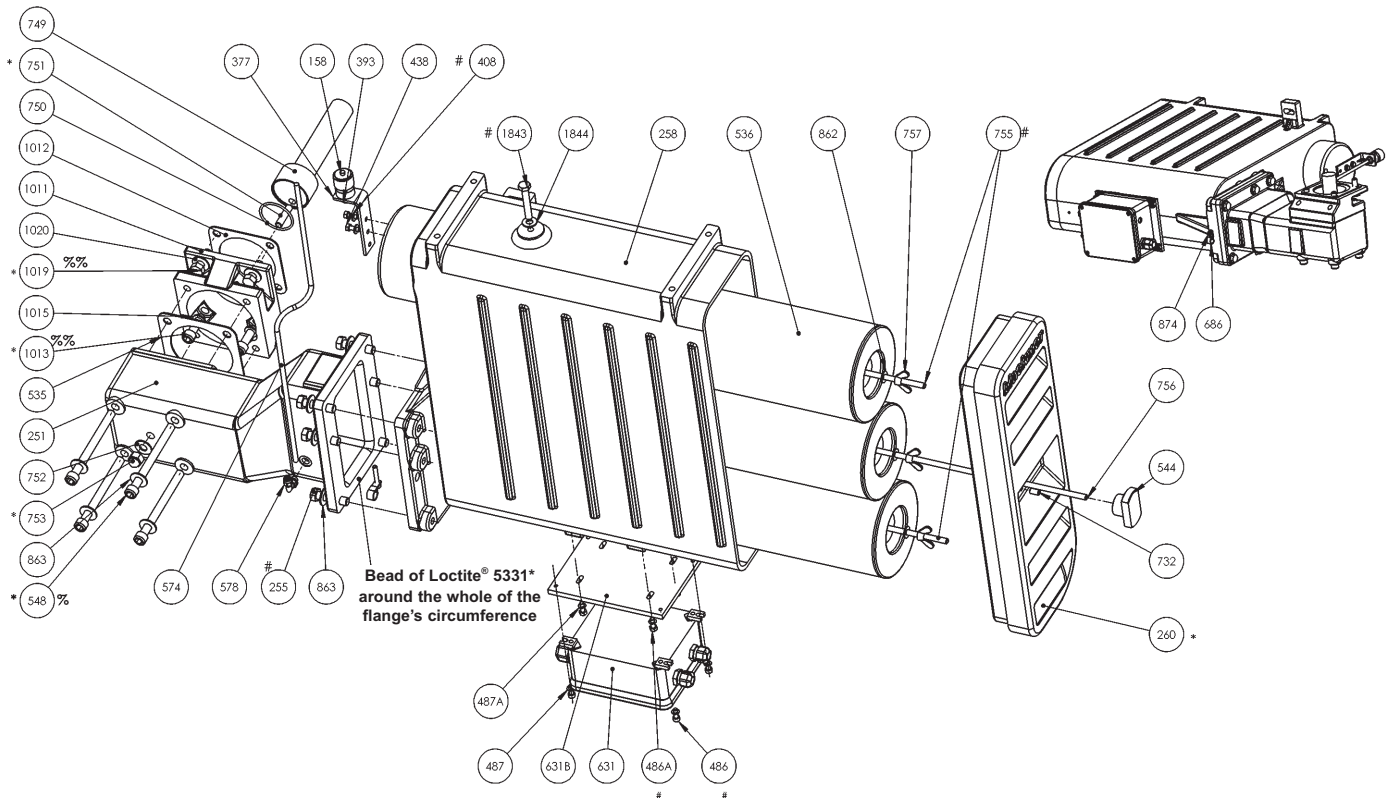


Number	Reference	Description	Quantity
175	313474	TYPHON II heat exchanger	1
500	224275	FGS cast iron chair	1
591	313550	DDNC check valve silencer assembly	1
762	224270	Steel frame fastening U-piece	1
771	222943	Silent block	1
776	313545	B600 complete suction assembly	1
	313546	TYPHON II complete suction assembly	1
	313547	MISTRAL complete suction assembly	1
788	223046	Metal silent block Ø 30	2
799	222957	DDIC Intercooler cover	1
849	See price list 10-1401-01	Compressor	1
856	223046	Metal silent block	2
871	220802	Cover spacer	4
887	223898	Bracket tightening chair	1
1842	313705	Filter unit mounting assembly	1
	222943	Metal silent block Ø 40	2

To order spare parts, please specify :

- The SERIAL NUMBER (stamped on the plate)
- PL 1401-R01 with its revision index
- The REFERENCES and QUANTITIES of the parts required.

## LIST OF SPARE PARTS (continued)



**Make sure the correct torque is applied :**

- % M12 class 10.9 : 11 daN.m
- %% M12 class 12.9 : 13 daN.m

# Apply LOCTITE® 243\*.

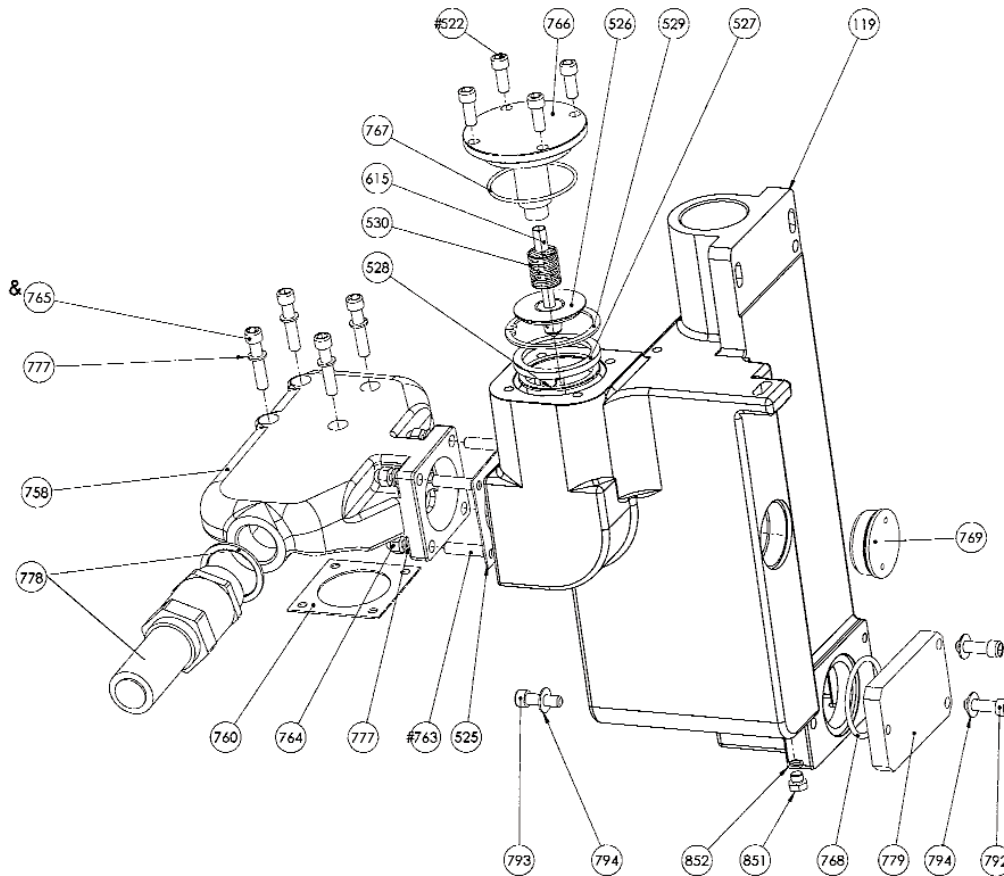
\* Apply LOCTITE® 270\*.

### 776 - SUCTION

Number	Reference	Description	Quantity
260	223034	Filter unit cover	1
535	215088	C/B TYPHON S/AM seal	1
536	223041	Filter cartridge	3
544	223135	Closing flywheel	1
588	313722	Clogging indicator assembly	1
631	313475	Electrical pressure switch equipment	1
548	223749	B600/MISTRAL screw	4
	223748	TYPHON II screw	4
732	220401	Spring plunger	1
749	223060	B600/MISTRAL valve core	1
	223040	TYPHON II valve core	1
1011	223058	B600 offset flange	1
	223059	MISTRAL offset flange	1
1012	219281	MISTRAL C/B suction/discharge seal	1

\* Loctite® is a registered trademark.

## LIST OF SPARE PARTS (continued)



# Apply LOCTITE® 243\*.

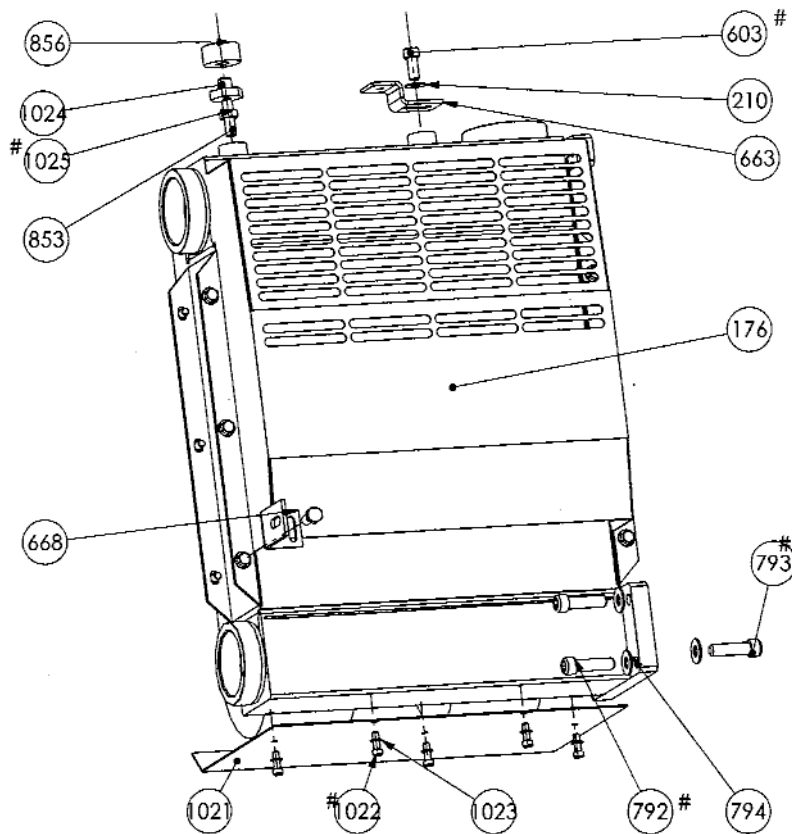
& Raise HT copper-based grease.

### 591 - DISCHARGE

Number	Reference	Description	Quantity
119	223037	Silencer	1
525	219058	TYPHON C/B seal	1
526	224979	Check valve	1
527	220525	Check/relief valve seat seal	1
528	220511	Check valve seat	1
758	223035	Silencer coupling	1
760	219281	MISTRAL C/B suction/discharge seal	1
766	223045	Check valve mounting cover	1
769	223051	Silencer plug	1
778	313477	HEROSE 2P 2 bar relief valve assembly	1
	313494	HEROSE 2P 2.3 bar relief valve assembly	1
	313473	HEROSE 2P 2.5 bar relief valve assembly	1
779	223131	Seal plate	1
788	223046	Metal silent block	2

\* Loctite® is a registered trademark.

## LIST OF SPARE PARTS (continued)



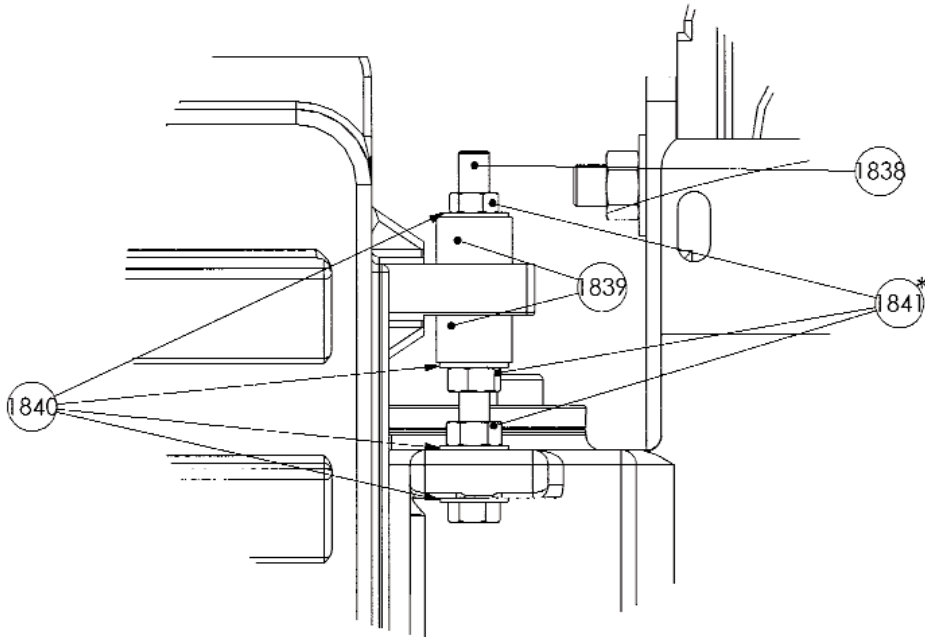
# Apply LOCTITE® 243\*.

### 175 - COMPLETE HEAT EXCHANGER

Number	Reference	Description	Quantity
176	313482	TYPHON II heat exchanger	1
663	223437	Cover fastening bracket	1
668	223438	Cover fastening mounting	1
853	223163	Threaded rod	1
856	223046	Metal silent block $\varnothing$ 30	1
1021	223435	Fan protection	1
1024	223436	Silent block mounting	1
	223362	Fan VA18-BP70-LL-41MS	1
	223363	Fan 014 BP76 /LL-22	1

\* Loctite® is a registered trademark.

## LIST OF SPARE PARTS (continued)



\* Apply LOCTITE® 270\*.

### 1842 - FILTER UNIT MOUNTING

Number	Reference	Description	Quantity
1839	223046	Metal silent block $\varnothing$ 30	2
1838	215572	Screw	1
1840	200189	Washer	4
1841	200049	Nut	3

### PACKAGE UPGRADE KIT Non Intercooler to Intercooler

Reference	Reference	Description	Quantity
314464		Upgrade kit DDNC to DDIC	1
	313475	Electrical pressure switch equipment DDIC	1
	313474	TYPHON II heat exchanger	1
	313483	DDIC cover assembly	1
	314465	Fastening kit exchanger DDIC	1

\* Loctite® is a registered trademark.